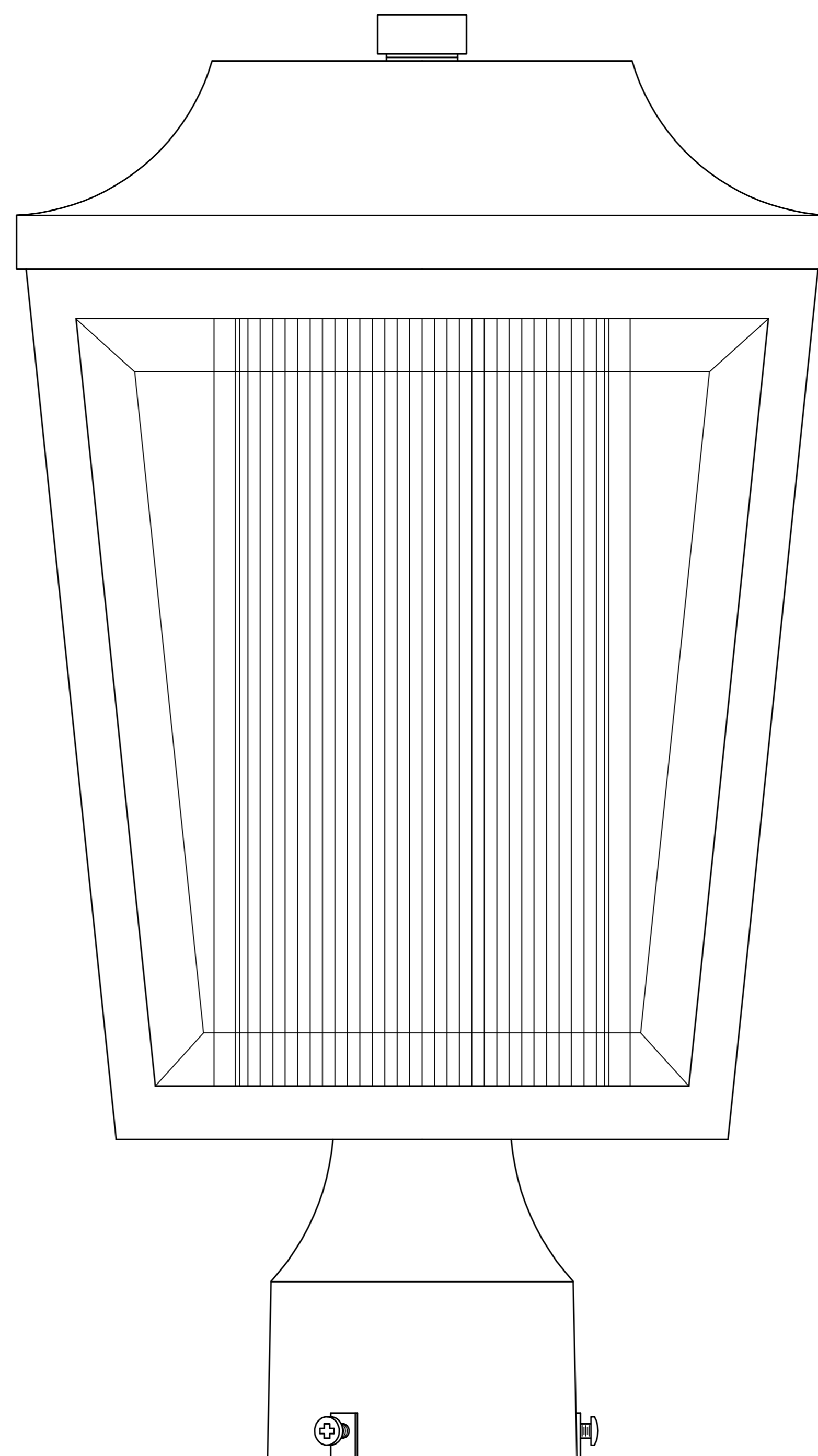




PRODUCT NAME: Villa  
ITEM NUMBER: 85630

Please consult your electrician for hanging fixture and wiring.



The fixture is designed to dim with a standard Triac forward phase dimmer. Dimming levels will vary by dimmer. Below is a list of recommended dimmers:

Lutron MACL-153M

Lutron DVL-153P

Lutron SCL-153P

Leviton IPL06-10Z

Leviton 6674-POW

Due to inrush current, wattage should not exceed 150 watts of product for a 600W dimmer.

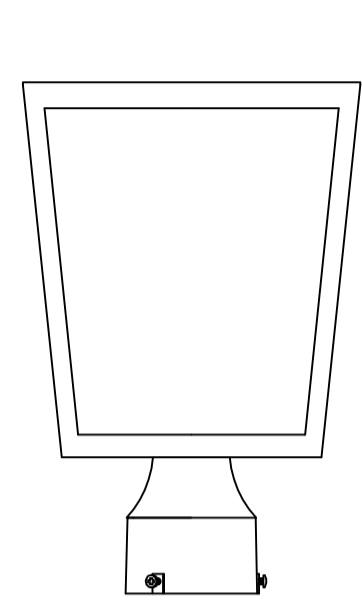
**WARNING:** Wires need to be connected to driver found in canopy and should not be connected directly to power source or a short may occur.

**10W LED**

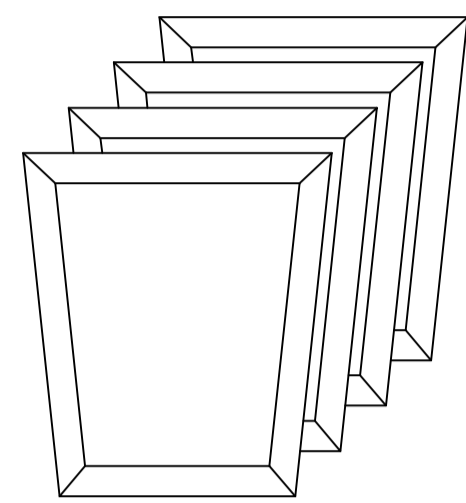


PRODUCT NAME: Villa  
ITEM NUMBER: 85630

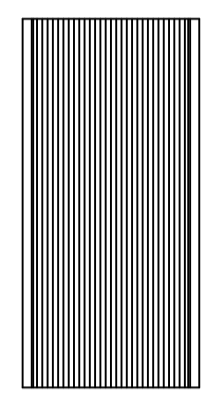
**IMPORTANT:** Turn off the power at the main fuse or circuit breaker box before starting installation.



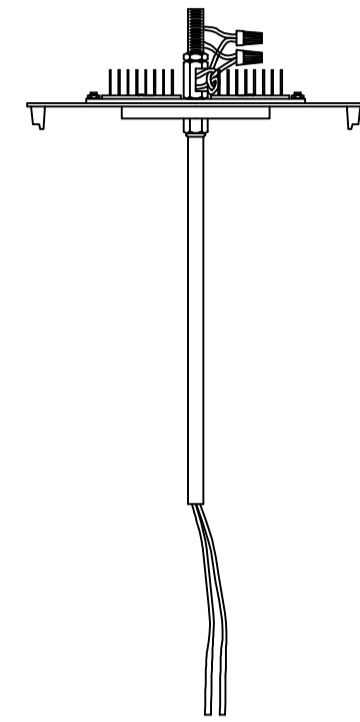
Fixture (A)



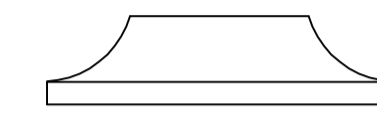
Beveled Glass (B)



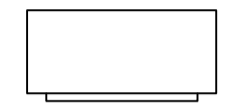
Ribbed Glass (C)



Illuminator (D)



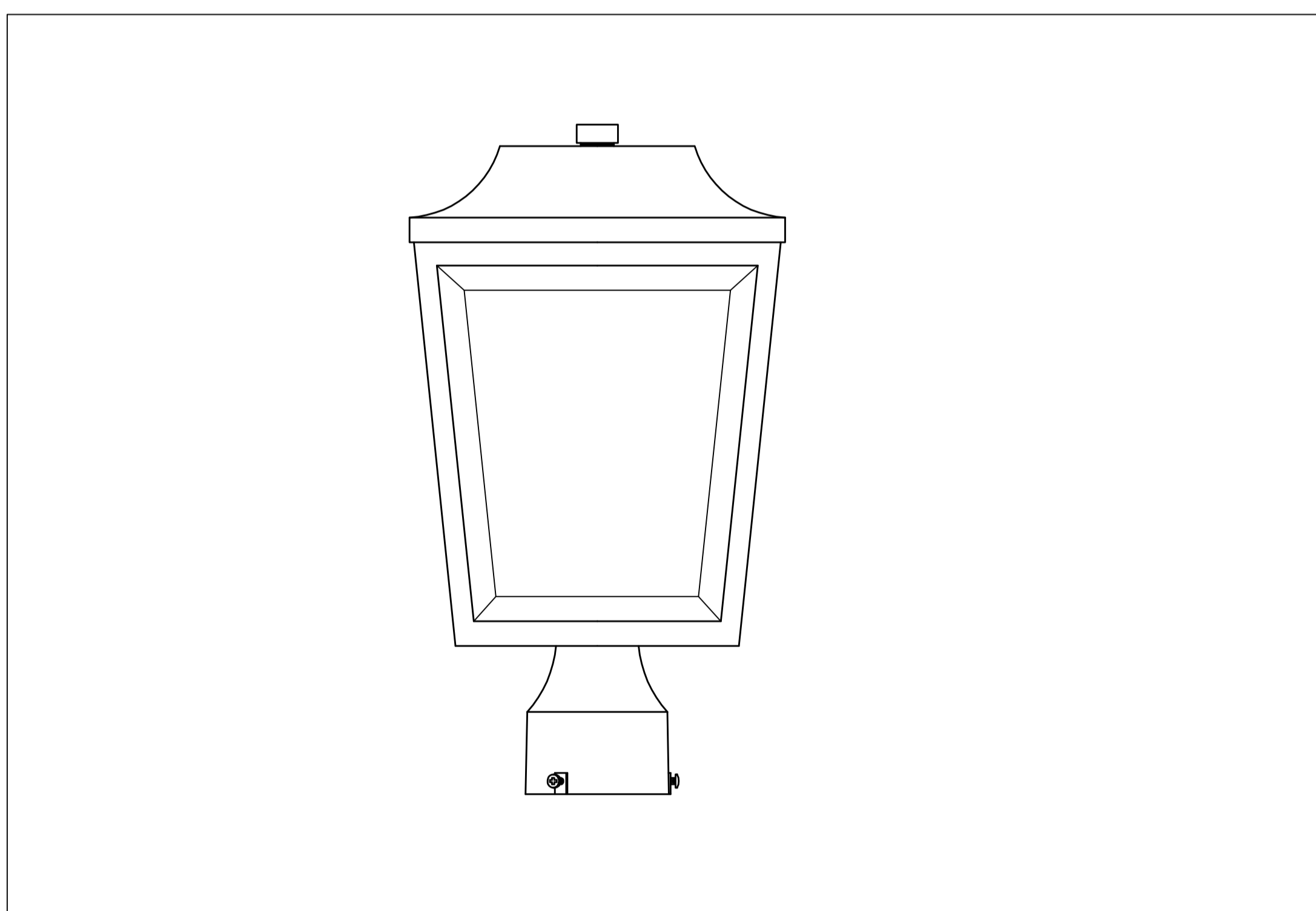
Hood (E)



Finial (F)

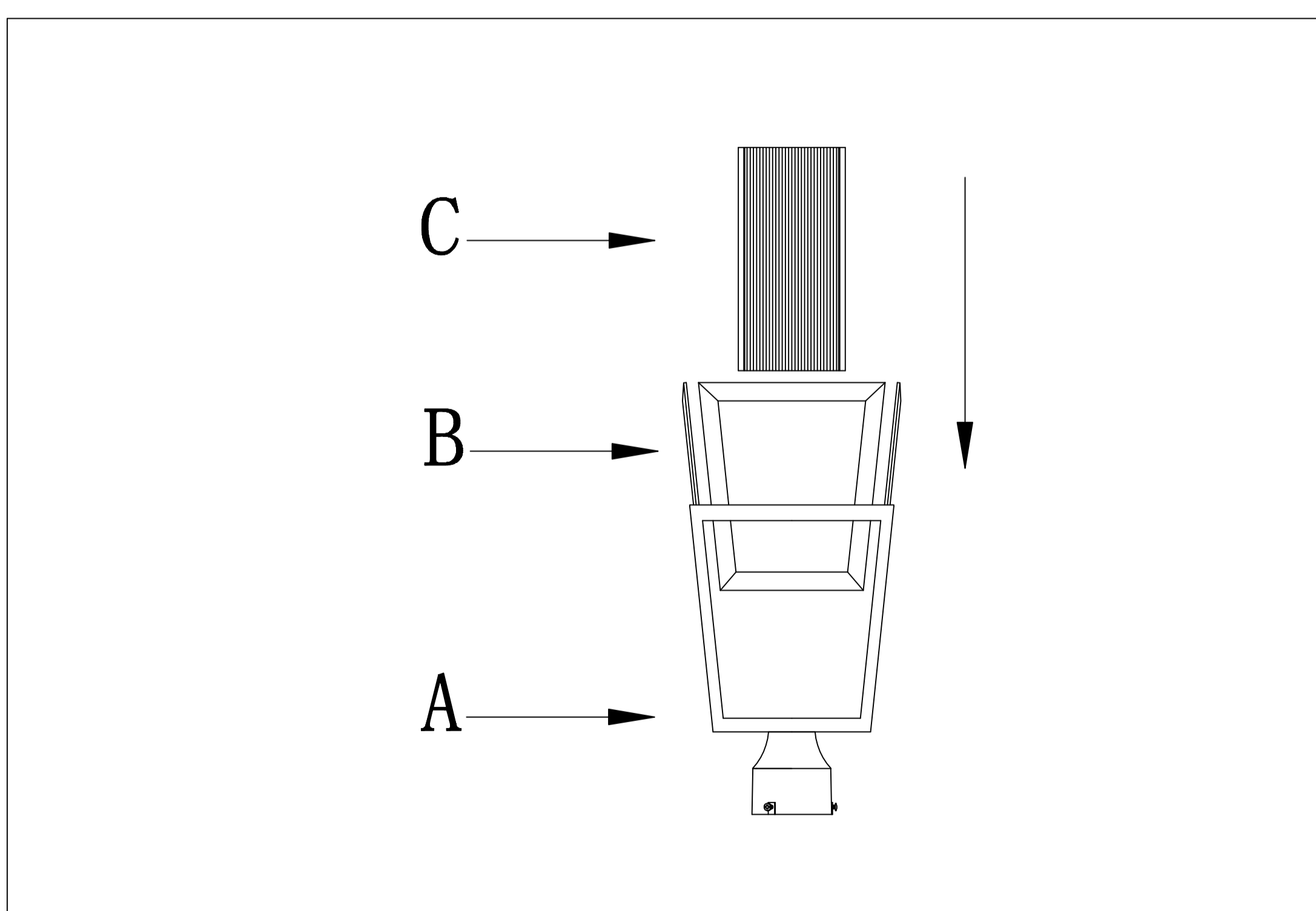
Locate all hardware & components before discarding packaging

1.)



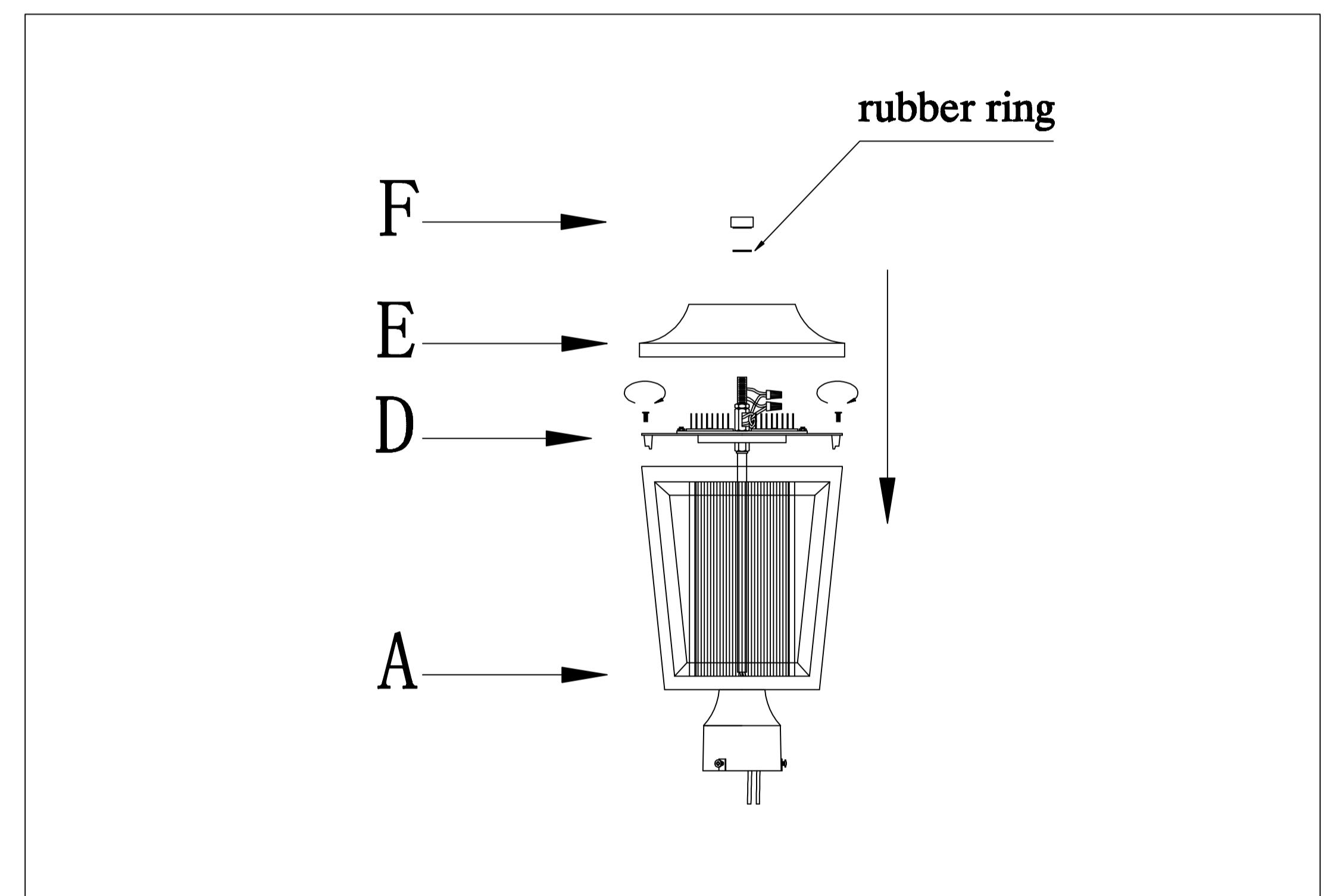
Step.1: Remove hood from the post by unscrewing top finial and four screws within the hood.

2.)



Step.2: Slide four beveled glass panels into fixture frame and then slide ribbed glass into fixture.

3.)



Step.3: Feed wire into holes at the bottom of the fixture, and reattach the hood.

Step.4: Wire fixture to supply circuit in the post mount.

Step.5: Secure the fixture to the post using three screws on the post mount fitting.

Step.6: Caulk around the post using RTV silicone sealant to prevent water intrusion into the splicing area.

**Cleaning & Care:**

Clean with soft cloth and a mild detergent.  
**DO not use abrasive cleaner.**