

## IN11132 INSTALLATION INSTRUCTIONS

Please read carefully and save these instructions, as you may need them at a later date.

### CAUTION

**WARNING:** Risk of Fire. Consult a qualified electrician to ensure correct branch circuit conductor. Min 90°C supply conductors.

Turn off the main power at the circuit breaker before installing the fixture, in order to prevent possible shock.

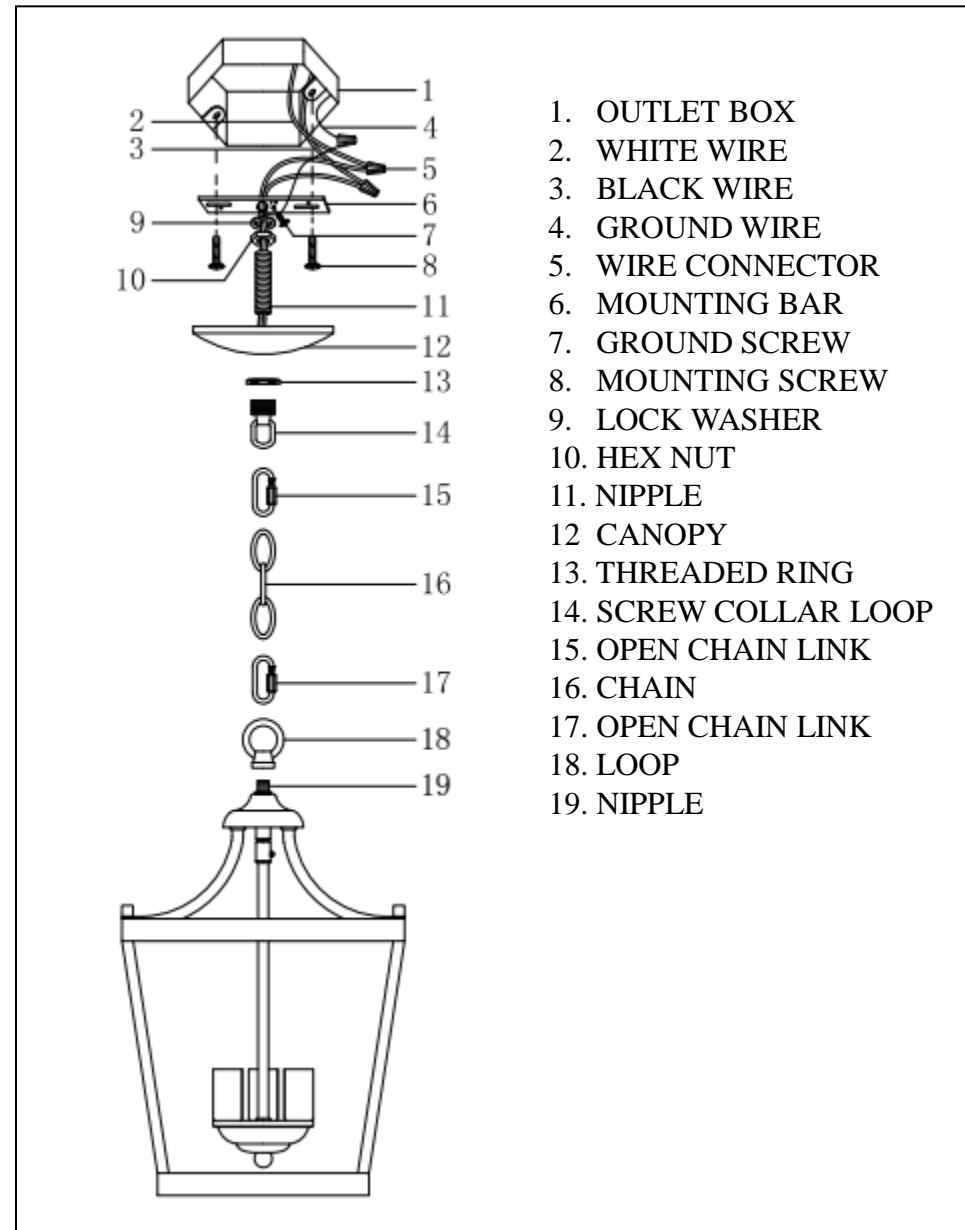
### GENERAL

All electrical connections must be in accordance with local and National Electrical Code (N.E.C.) standards. If you are unfamiliar with proper electrical wiring connections obtain the services of a qualified electrician.

Remove the fixture and the mounting package from the box and make sure that no parts are missing by referencing the illustrations on the installation instructions.

### ASSEMBLY AND INSTALLATION

1. Thread loop (18) onto nipple (19). Attach open chain link (17) to the chain (16) and loop (18), then attach open chain link (15) to the chain (16) and screw collar loop (14). Then close the open chain links (15) and (17).
2. Pull out the outlet wire and ground wire from the outlet box (1). Make wire connections.  
--Ribbed wire (w/o marking) from light to White wire (2) from power source.  
--Smooth wire (w/o marking) from light to Black wire (3) from power source.  
--Loop the ground wire (4) to mounting strap (6) with a ground screw (7).
3. Secure the mounting bar (6) with mounting screw (8) to the outlet box (1). Thread hex nut (10) onto nipple (11). Insert lock washer (9) and thread the nipple (11) into the mounting strap, then secure with the hex nut (10).
4. Slide screw collar loop (14) over canopy (12), then thread screw collar loop (14) into the threaded ring (13) and screw collar loop (14) onto nipple (11). Secure threaded ring (13).
5. Install bulbs: (bulbs not included)  
(Please don't exceed the maximum capacity that's recommended on the sockets).



INSTALLATION IS NOW COMPLETED