

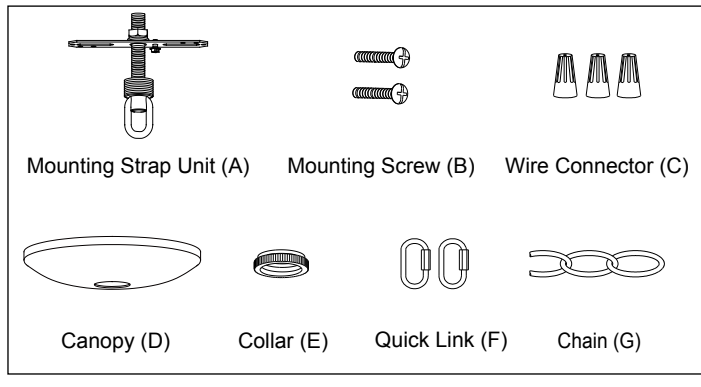
ASSEMBLY AND INSTALLATION INSTRUCTIONS

H0271

WARNING: TO AVOID RISK OF ELECTRICAL SHOCK, BE SURE TO SHUT OFF POWER WHILE INSTALLING OR SERVICING THIS FIXTURE.

NOTE: 1. Before installing, consult local electrical codes for wiring and grounding requirements.
2. READ AND SAVE THESE INSTRUCTIONS.

Hardware Package(inculded):



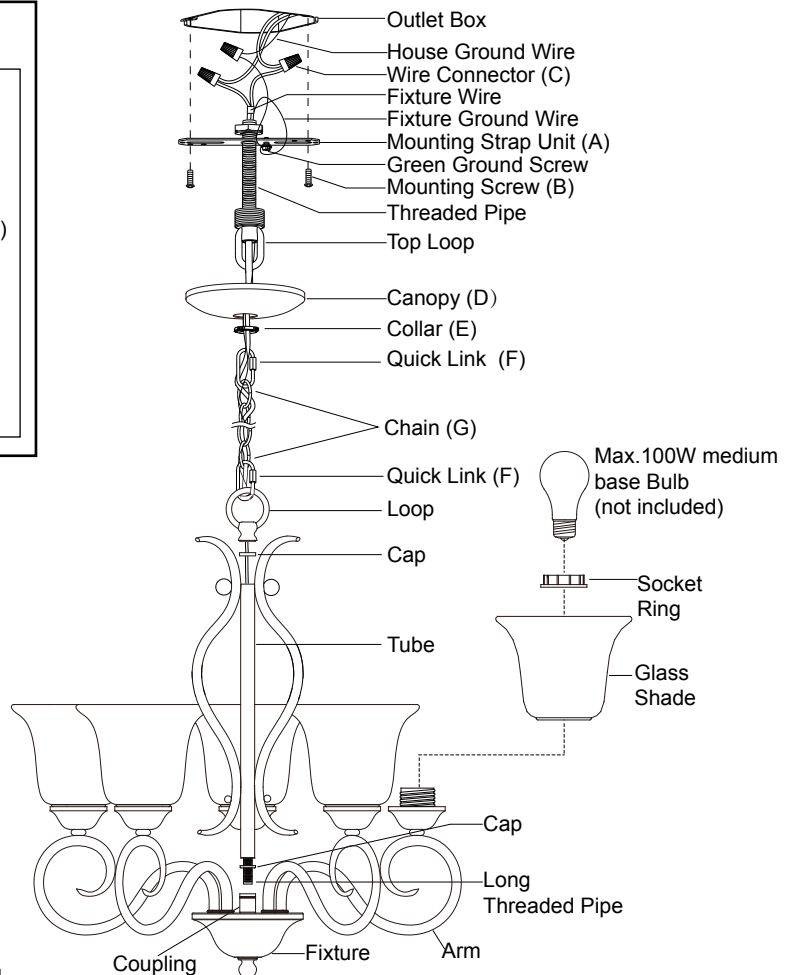
Installation Steps

Turn off the power at fuse or circuit box.

1. Attach the mounting strap unit (A) to outlet box with mounting screws (B).
2. Adjust the arms of the fixture according to the picture on the package.
Important:
 - a. The arms should be positioned with equal distances between them.
 - b. The arms should be fixed securely.

Screw the long threaded pipe into the coupling of the main fixture. Slip a cap with the open side facing upward, upper fixture, another cap with the open side facing downward through the long threaded pipe and secure them with the loop.

3. Choose the length of the chain (G) you need, then weave the fixture wire and the fixture ground wire through the chain (G), collar (E) and canopy (D).
4. Connect one end of the chain (G) with the loop by using a quick link (F).
5. Connect the other end of the chain (G) with the top loop by using another quick link (F).
6. Thread the fixture wire and fixture ground wire through the mounting strap unit (A).
7. Pull out the outlet wires and house ground wire from the outlet box. Make wire connections using the wire connectors (C):
 - The smooth wire (marked) from the fixture to the black wire from the power source.
 - The ribbed wire (unmarked) from the fixture to the white wire from the power source.
 - Attach the fixture ground wire (bare wire) to the mounting strap unit (A) with the green ground screw. Then connect it to the house ground wire with a wire connector (C).
 Carefully put all the wires back into the outlet box.

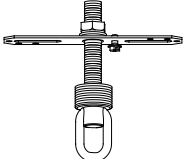
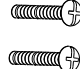
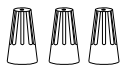

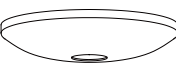


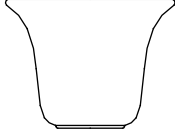
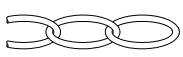


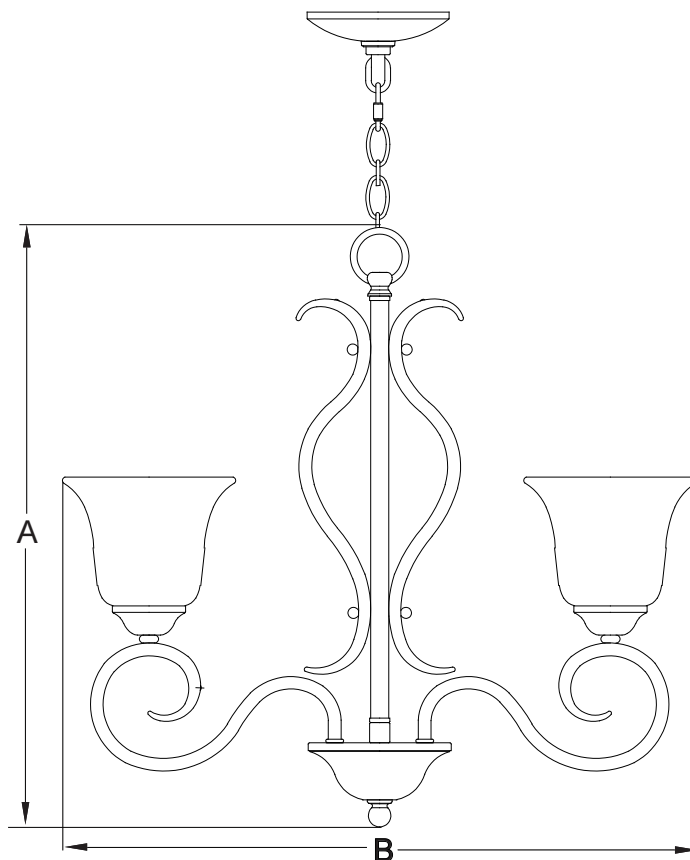
8. Attach the canopy (D) to the mounting strap unit (A) by inserting the top loop, then secure it with the collar (E).
9. Attach the glass shades to the glass holders and then secure them with socket rings.
10. Install five medium base bulbs (not included). See relamping label at socket area or packaging for maximum wattage allowed.

Turn on the power at fuse or circuit box.

The following parts are available for re-order if damaged or missing.

Spare Parts List:

			 <p>Assembly Kit 4330MM (1 SET)</p>
Mounting Strap Unit (A)	Mounting Screw (B)	Wire Connector (C)	
			 <p>Glass Shade 9219EW</p>
Canopy (D)	Collar (E)	Quick Link (F)	
			
		Chain (G)	



A: 21"

B: 22-1/2"